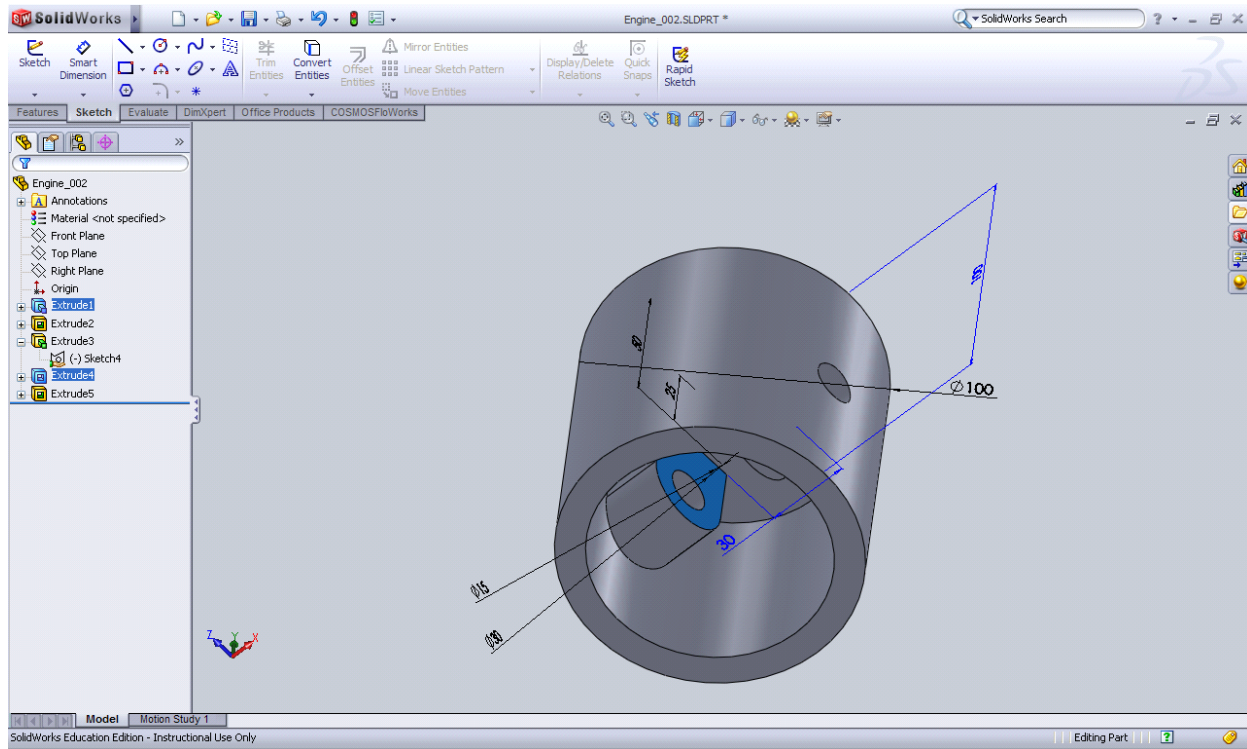
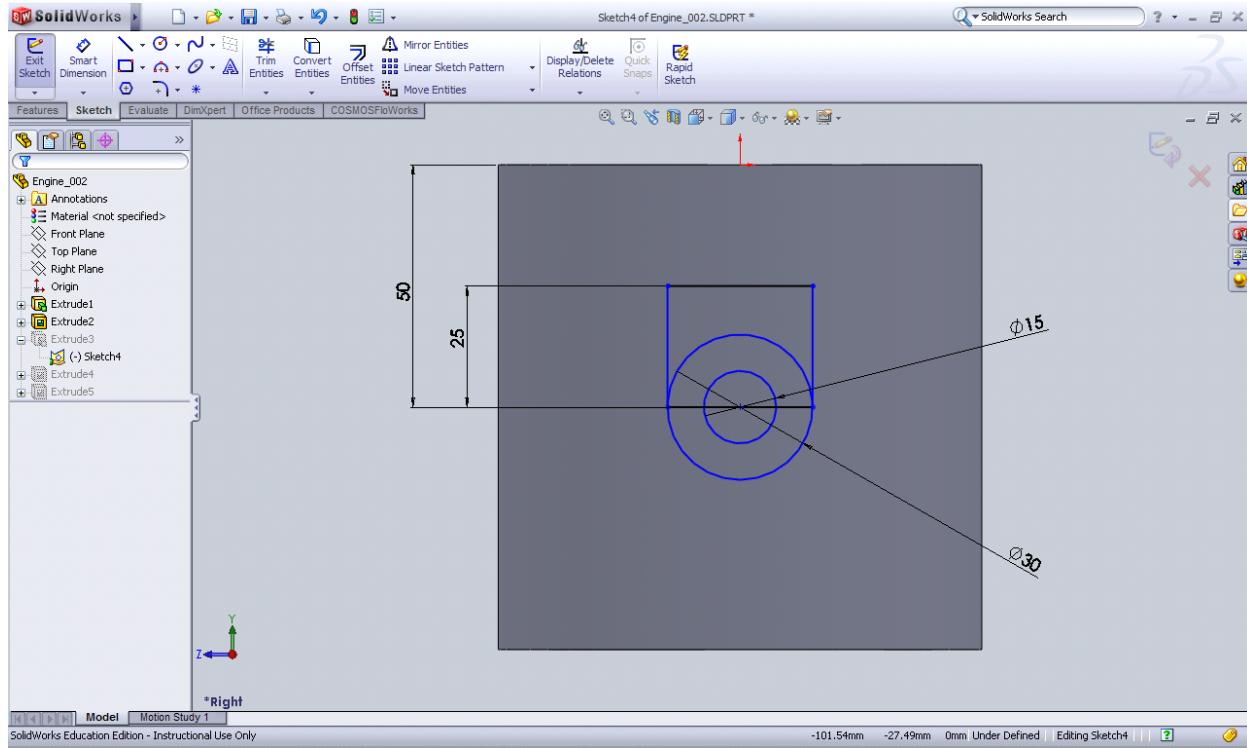
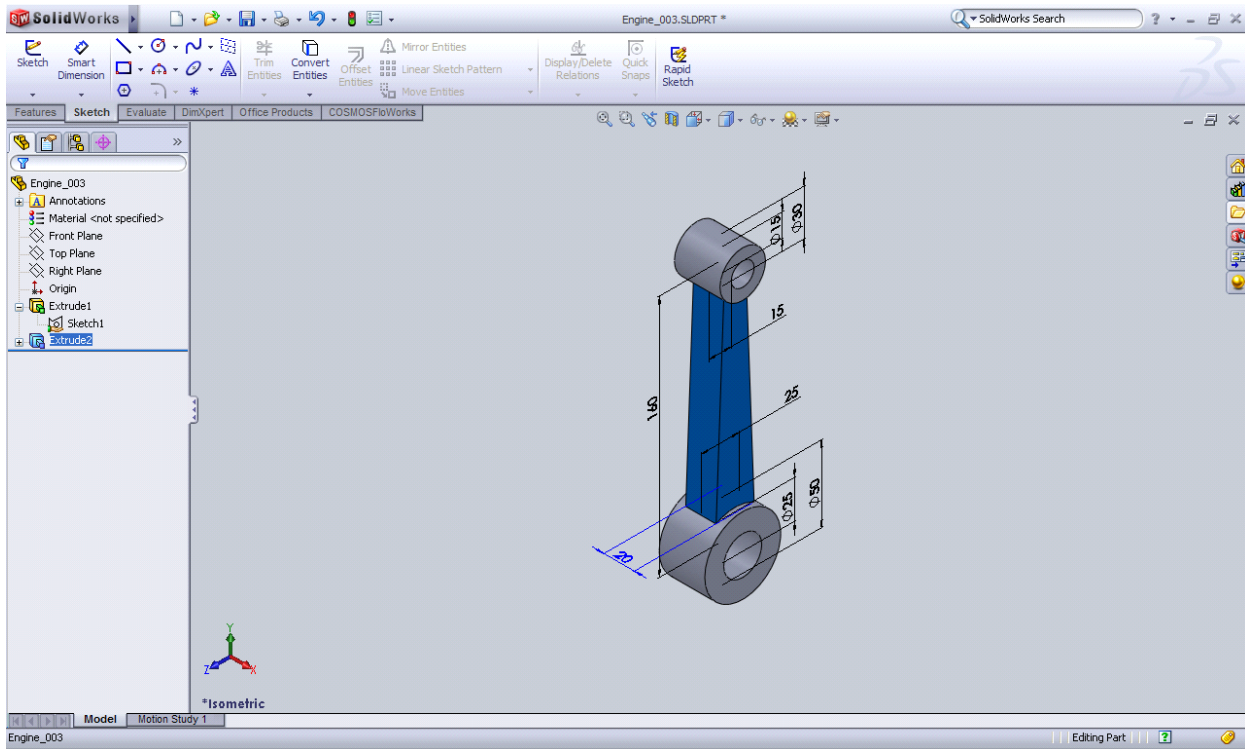
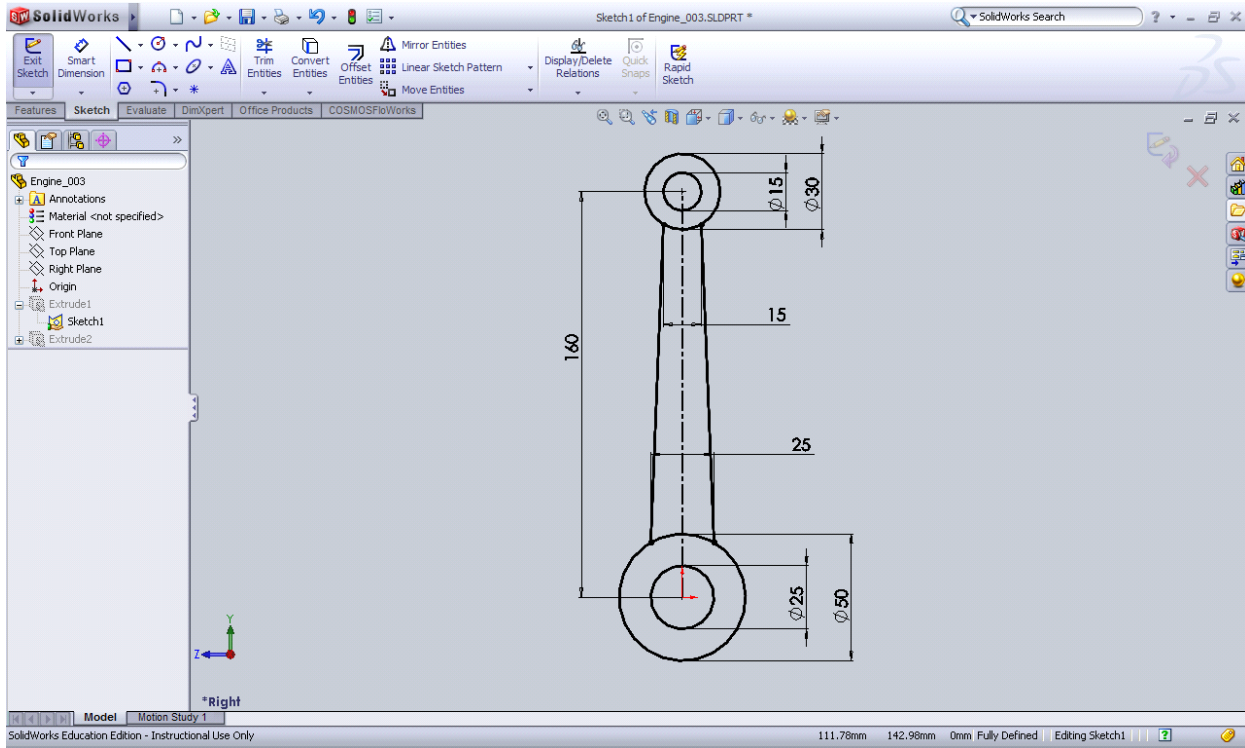


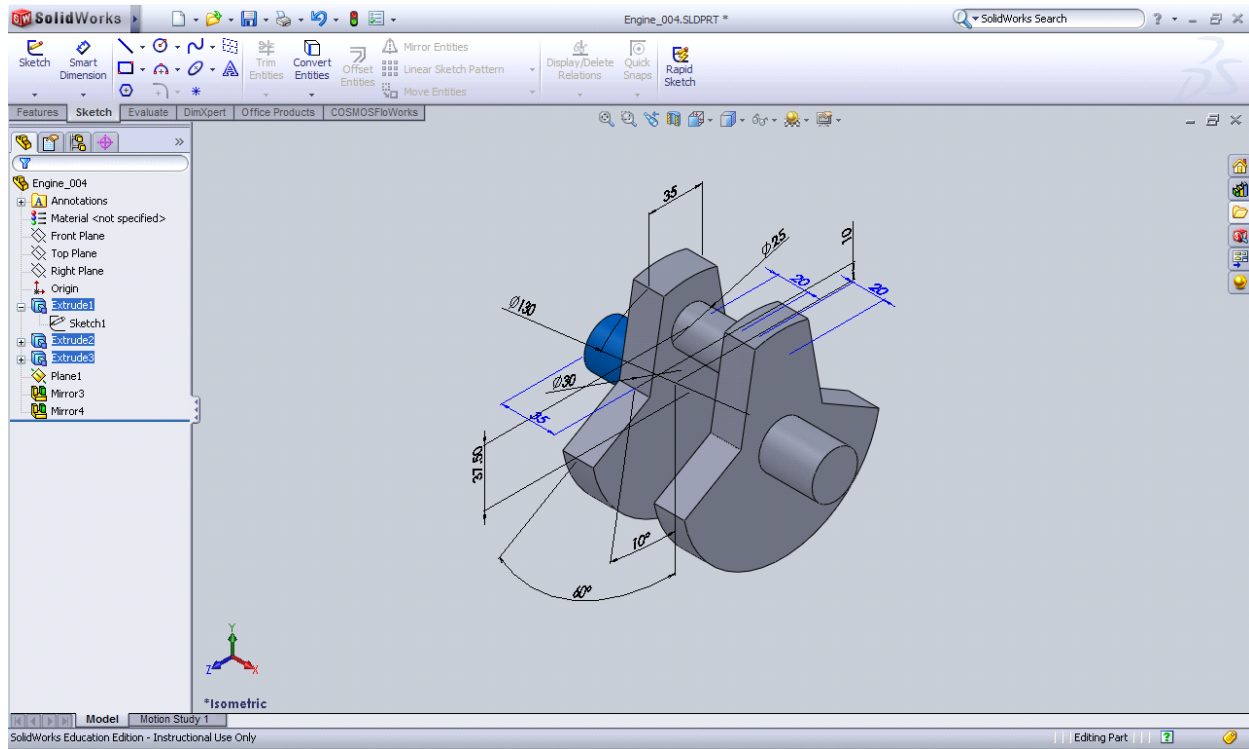
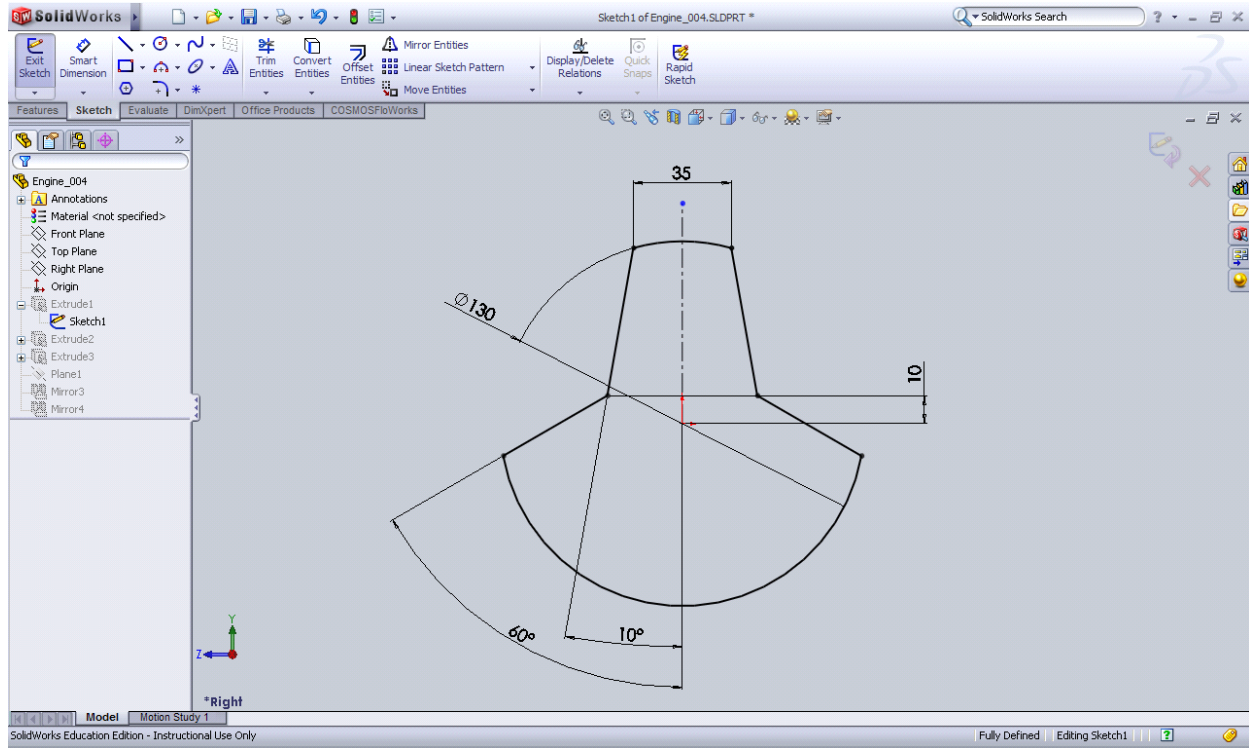
# Piston



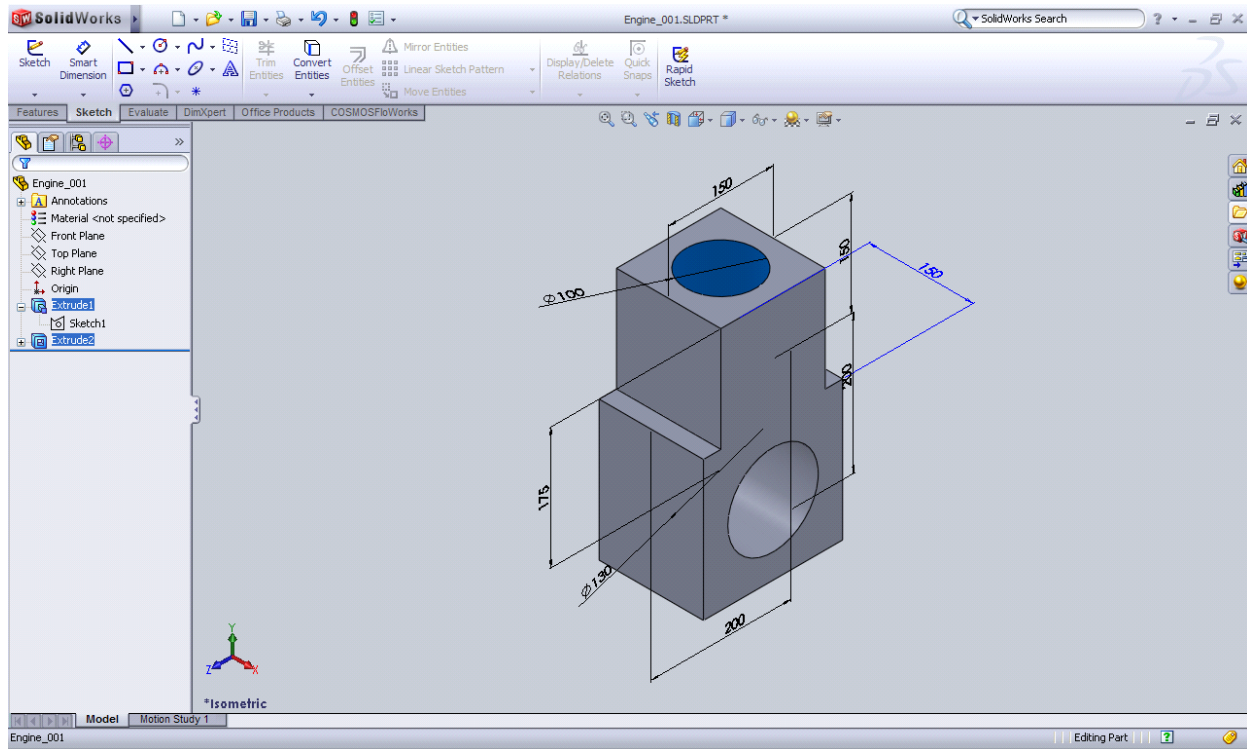
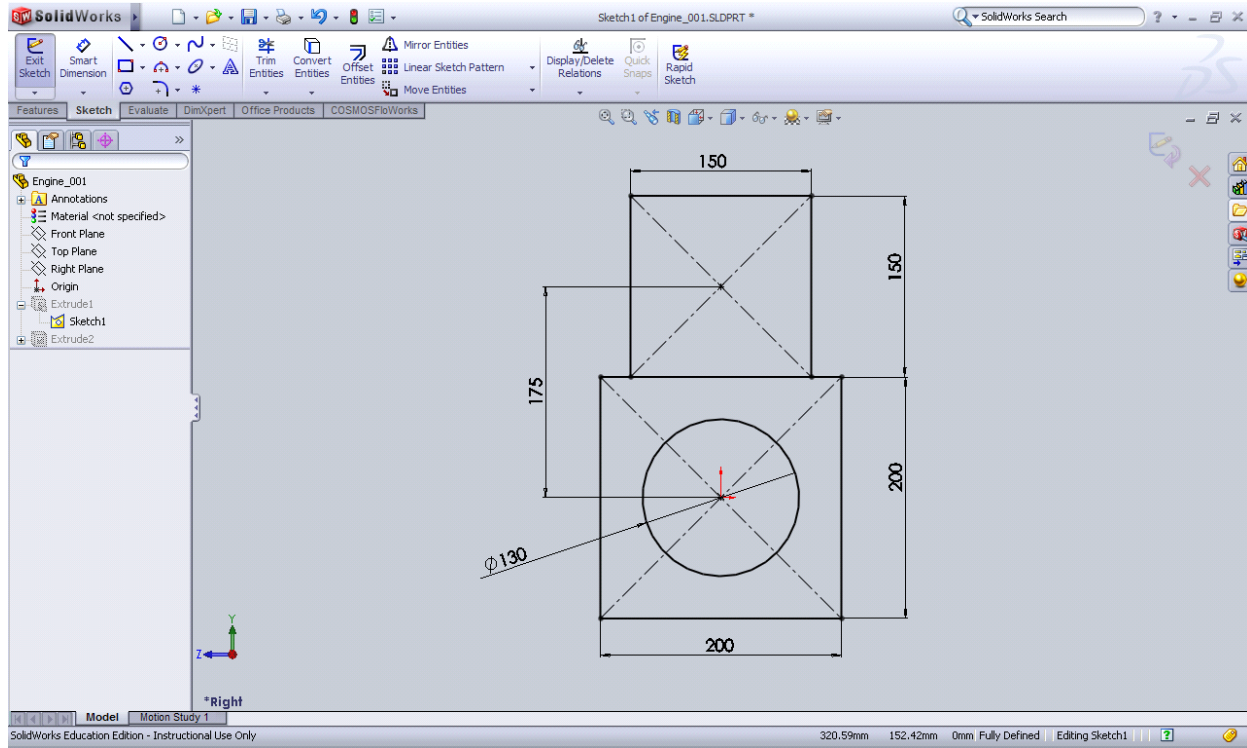
# Connecting Rod



# Crank



# Engine Block



# Engine Assembly

